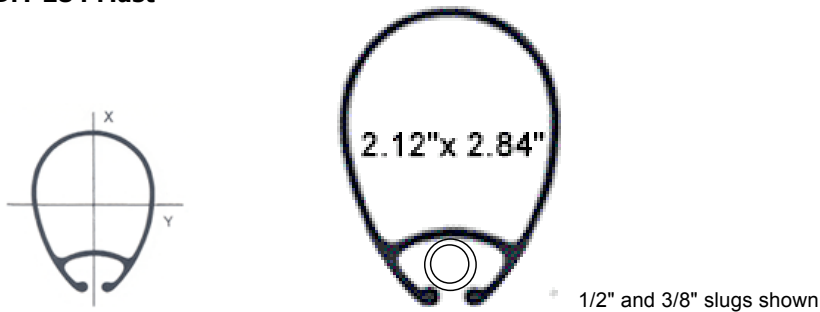


Mast (DM-284): <http://dwyer mast.com/items.asp?cat1ID=20&cat1Name=Masts&familyID=35&familyName=DM%2D284+Mast>
 Boom (DM-275): <http://dwyer mast.com/items.asp?cat1ID=30&cat1Name=Booms&familyID=5&familyName=DM%2D275+Boom>
 Gaff (DM-1): <http://dwyer mast.com/items.asp?cat1ID=30&cat1Name=Booms&familyID=3&familyName=DM%2D1+Boom>

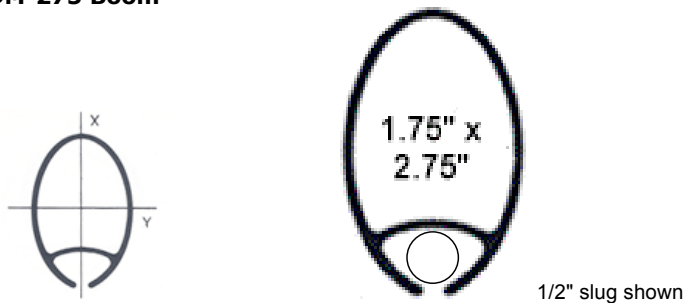
DM-284 Mast



Mast length of upper segment is 12ft. 7 in. Mast stub is 53 in.

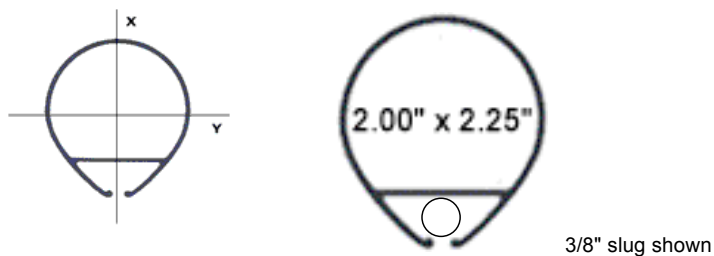
Dimensions: **2.12 in. x 2.84 in.**
 Weight: **.908 lb./ft.**
 $I_x = .334 \text{ in}^4$
 $I_y = .610 \text{ in}^4$

DM-275 Boom



Dimensions: **1.75 in. x 2.75 in.**
 Weight: **.824 lb./ft.**
 $I_x = .25 \text{ in}^4$
 $I_y = .48 \text{ in}^4$

DM-1 Gaff



The gaff is 96.5" long. The original peak block bail is 42" up from the throat. An added second bail for the peak block when reefed would be at 65" up from the throat.

Dimensions: **2.00 in. x 2.25 in.**
 Weight: **.533 lb./ft.**
 $I_x = .189 \text{ in}^4$
 $I_y = .235 \text{ in}^4$